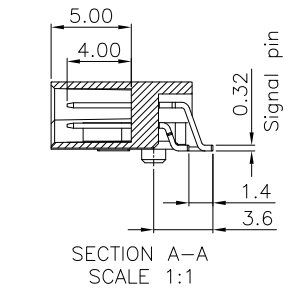
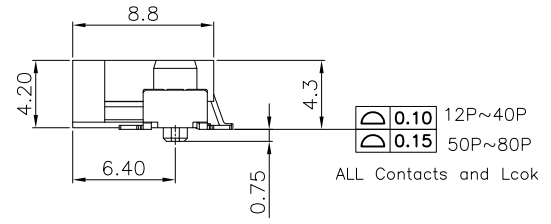
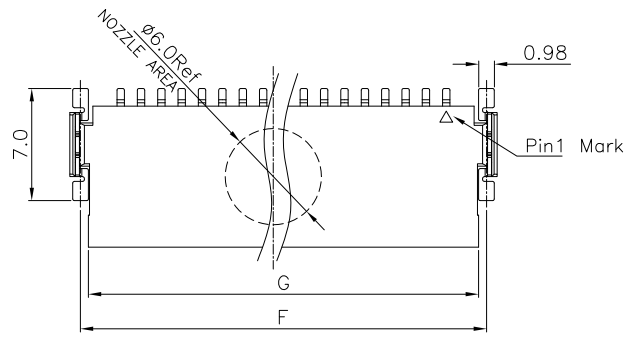
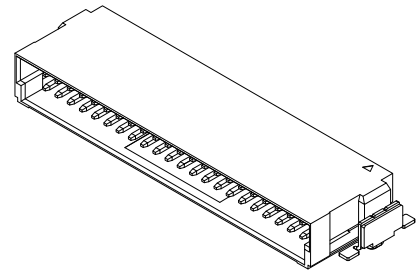


REV.	SPECIFICATION	ECN NO.	APPD.
R4		ECN260215	

**Material and Plating:**  
Housing: LCP, UL94V-0, BLACK.  
Signal Contacts: Brass.  
Gold plated on Contact Area and 80u" Min Tin Plated on Solder Tail over nickel 50u" Min .  
Locks: Alloy.  
100u" Min Tin Plated over nickel 50u" Min .

**Electrical Characteristics:**  
Current Rating: 1.7A  
Dielectric Withstanding Voltage: AC 500V For 1 minute.  
Insulator Resistance: 1000MΩ min. at DC 500V.  
Contact Resistance: 25mΩ max. at DC 100mA.  
Operating Temperature: -55°C~+125°C.

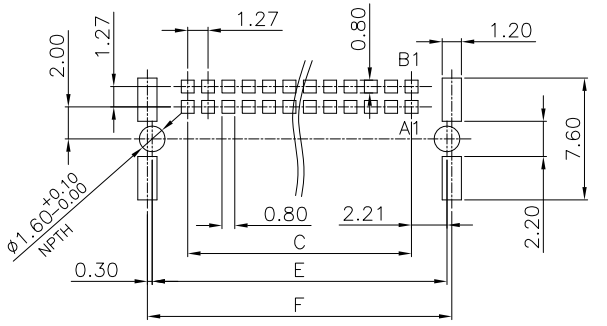
**\*RoHS & HF Compliant**



		"X" Available Position						
Pos.	Dimension	Dimension						
		A	B	C	D	E	F	G
10		11.43	7.30	5.08	8.30	9.50	10.10	9.10
12		12.7	8.57	6.35	9.57	10.77	11.37	10.37
16		15.24	11.11	8.89	12.11	13.31	13.91	12.91
20		17.78	13.65	11.43	14.65	15.85	16.45	15.45
*	24	20.32	16.19	13.97	17.19	18.39	18.99	17.99
	26	21.59	17.46	15.24	18.46	19.66	20.26	19.26
	30	24.13	20.00	17.78	21.00	22.20	22.80	21.80
*	40	30.48	26.35	24.13	27.35	28.55	29.15	28.15
*	50	36.83	32.70	30.48	33.70	34.90	35.50	34.50
	68	48.26	44.13	41.91	45.13	46.33	46.93	45.93
*	80	55.88	51.75	49.53	52.75	53.95	54.55	53.55

**2321-A xx M C xx D R P T**

Series: 2321-A  
No. of Pin Row: xx  
M: Male  
C: Selective Gold Plated  
00: Gold Flash  
05: 5μ"  
10: 10μ"  
30: 30μ"  
D: SMD Type  
R: Right Angle  
P: With Post  
N: Without Post  
T: Tape & Reel Package



P.C. Board Layout (TOP View)  
(Tolerance ±0.05)

<b>Tolerances</b>	<b>Dwg. No.</b>	2321-D0000-006	<b>Title:</b>	
x = ±0.50	<b>Projection</b>		2321-A Series	
.x = ±0.25	<b>Unit</b>	mm	<b>Scale</b>	1:1
.xx = ±0.15	<b>Drawn By</b>	GYJ 03/08'25	1.27mm Pitch SMC Male Connector Two Row Right Angle SMD Type	

**OUPIN**  
**OUPIN ELECTRONIC(KUNSHAN) CO., LTD.**  
P/N: 2321-AxxMCxxDRPT

<b>SHEET</b>	1/1	<b>Ver.No.</b>	R4
--------------	-----	----------------	----