

REV.	SPECIFICATION	ECN NO.	APPD.
R1		ECN260437	

**Material and Plating:**

Housing: LCP, UL94V-0, Black.  
 Power Contacts: High Conductivity Copper.  
 30u"Au+Pd/Ni on Contact Area and 100u" Min Tin Plated on Solder Tail over nickel 60u" Min .  
 Signal Contacts : High Conductivity Copper.  
 30u"Au+Pd/Ni on Contact Area and 100u" Min Tin Plated on Solder Tail over nickel 60u" Min .

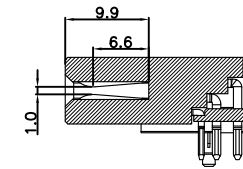
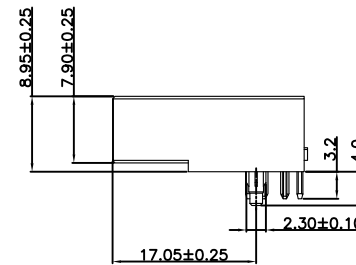
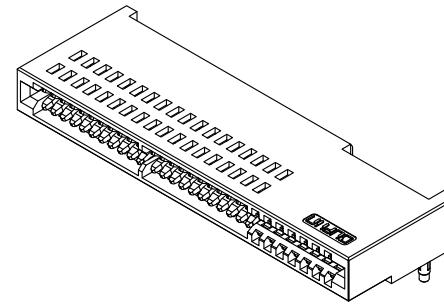
**Electrical Characteristics:**

Current Rating: Signal Pin 5.0 A /Pin(2ozX10).  
 Power Pin 187.5 A/Beam(2ozX10).  
 Insulator Resistance:  
 Signal Pin 5000MΩ min. at DC 500V.  
 Power Pin 5000MΩ min. at DC 500V.  
 Dielectric Withstanding Voltage:  
 Signal Pin AC 1000V For 1 minute.  
 Power Pin AC 1000V For 1 minute.  
 Contact Resistance: Signal Pin 20mΩ max.  
 Power Pin 0.6mΩ max.  
 Operating Temperature: -55°C ~+105°C .

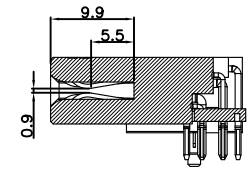
**\*RoHS & HF Compliant**

Note:

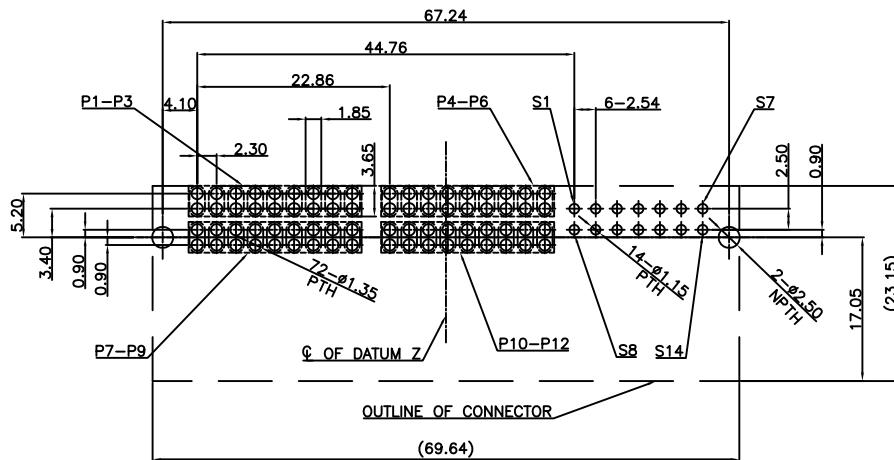
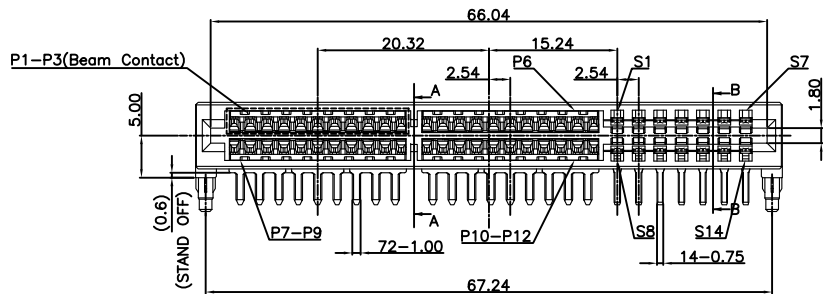
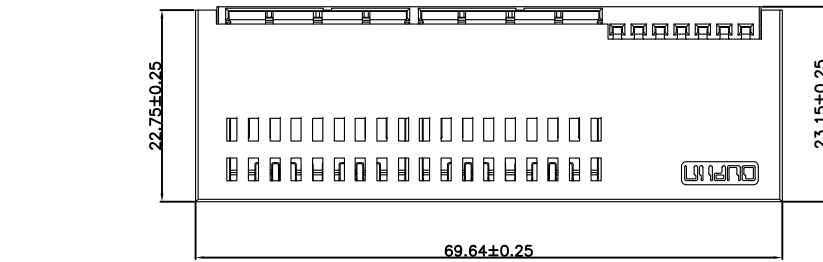
1. IR Reflow & PIP



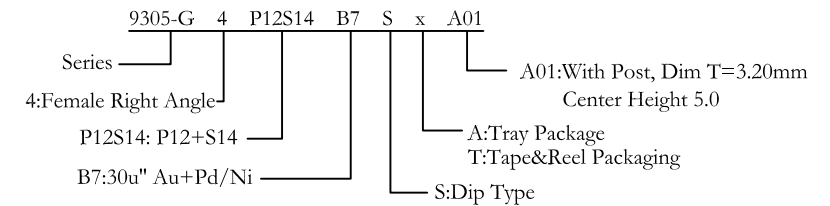
Section: A-A



Section: B-B



P.C. Board Layout(Top View)  
 (Tolerance:±0.05) Thickness is 2.60±0.10mm

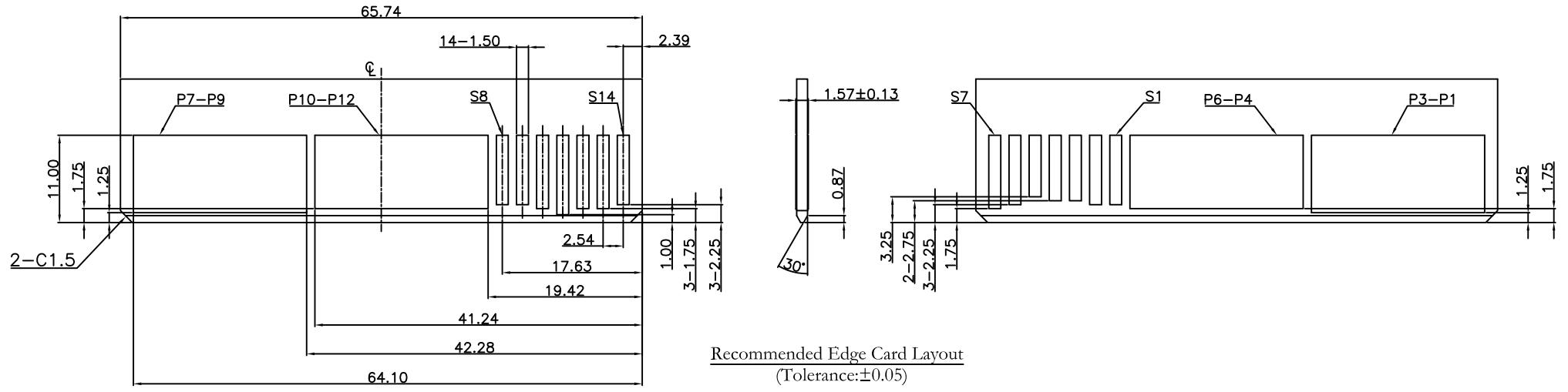


Tolerances	Dwg. No.	9305-DP12S14-017
x = ±0.5	Projection	
.x = ±0.25	Unit	mm
.xx = ±0.15	Scale	1:1
	Drawn By	WP 04/21'26


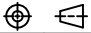
Title:  
 9305-G Series  
 Offset 5.00mm, M-CRPS 73.5mm

<b>OUPIN</b>			
OUPIN ELECTRONIC(KUNSHAN) CO., LTD.			
P/N: 9305-G4P12S14B7SxA01			
SHEET	1/2	Ver.No.	R1

REV.	SPECIFICATION	ECN NO.	APPD.
R1		ECN260437	



Recommended Edge Card Layout  
(Tolerance:±0.05)

Tolerances x = ±0.5 .x = ±0.25 .xx = ±0.15	Dwg. No.	9305-DP12S14-017		Title: 9305-G Series Offset 5.00mm, M-CRPS 73.5mm				 <b>OUPIIN ELECTRONIC(KUNSHAN) CO., LTD.</b> P/N: 9305-G4P12S14B7SxA01			
	Projection										
	Unit	mm	Scale	1:1	SHEET	2/2	Ver.No.	R1			
	Drawn By	WP 04/21'26									