

REV.	SPECIFICATION	ECN NO.	APPD.
R3		ECN260415	

Material and Plating:

Housing: LCP, UL94V-0, BLACK.
 Power Contacts: High Conductivity Copper, Gold Plated or Au+Pd/Ni on Contact Area and 80u" Min Tin Plated on Solder Tail over Nickel 50u" Min .
 Signal Contacts: Nickel Copper .
 Gold Plated or Au+Pd/Ni on Contact Area and 80u" Min Tin Plated on Solder Tail over Nickel 50u" Min .
 Lock: Phosphor Bronze.

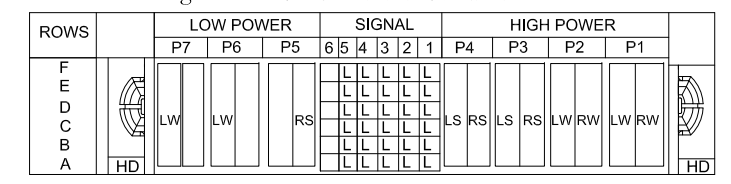
Electrical Characteristics:

Current Rating: Refer to the Specification for details.
 Dielectric Withstanding Voltage:
 Signal Pin DC 1000V For 1 minute.
 Power Pin DC 2500V For 1 minute.
 Insulator Resistance: Signal Pin 500MΩ min.
 Power Pin 1000MΩ min.
 Contact Resistance: Signal Pin 20mΩ max.
 High Power Pin 0.3mΩ max.
 Low Power Pin 0.6mΩ max.
 Operating Temperature: -40°C ~+125°C .

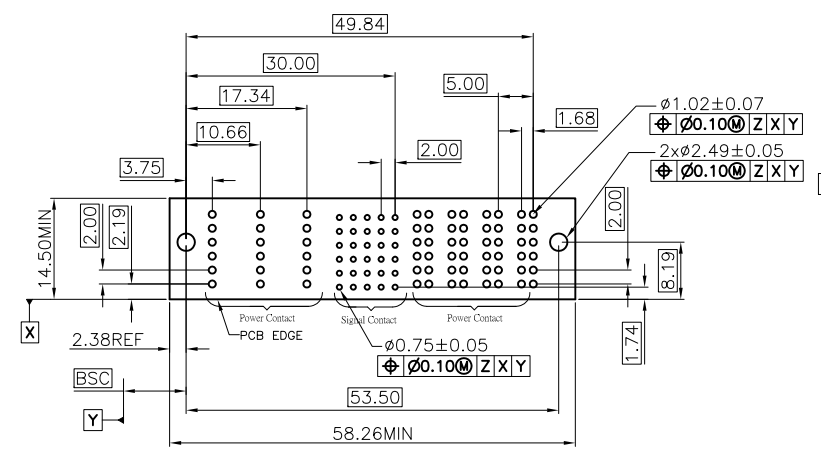
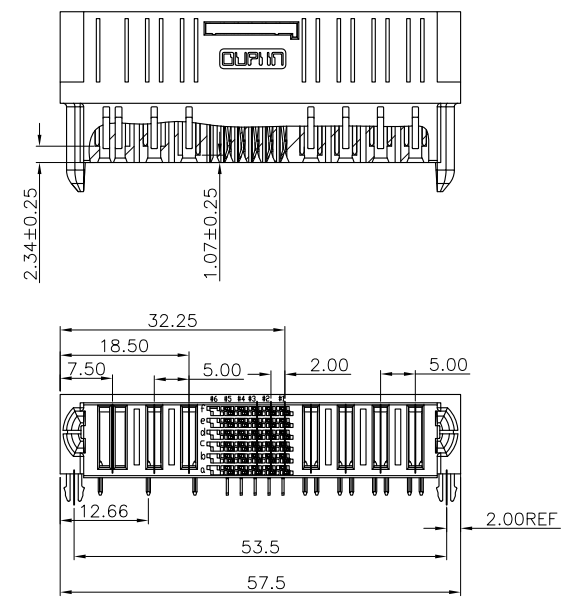
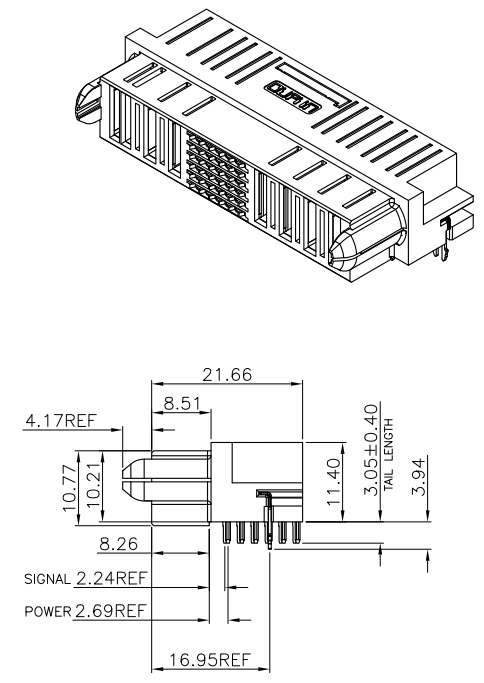
***RoHS & HF Compliant**

Notes 1:

- 1.P1, P2 Power Contact To The Top Distance is 2.34mm.
- 2.P3, P4 Power Contact To The Top Distance is 1.07mm.
- 3.P5 is Right Power Pin, To The Top Distance is 1.07mm.
- 4.P6,P7 are Left Power Pin, To The Top Distance is 2.34mm.
- 5.Signal Pin:A6~F6 Without Contact .



LEFT POWER CONTACT TO THE TOP DISTANCE 2.34mm	LW
RIGHT POWER CONTACT TO THE TOP DISTANCE 2.34mm	RW
LEFT POWER CONTACT TO THE TOP DISTANCE 1.07mm	LS
RIGHT POWER CONTACT TO THE TOP DISTANCE 1.07mm	RS
SIGNAL CONTACT 3.05 SOLDER TAIL, PD/Ni	L



9303-D 4 P07S36 B7 S A A01
 Series
 4:Female Right-angle
 P07S36:P07+S36
 B7: 30u" Au+Pd/Ni
 C7:30u" Selective Gold Plated
 A01:With Lock Dip Type,Tail Length3.05mm.
 A:Tray Package
 S: DIP Type

Tolerances	Dwg. No.	9303-DP03S36P04-002	Title:	9303-D Series PwrSword® ULTRA HD+ Female Right-angle Dip Type
x = ±1	Projection		Unit	mm
.x = ±0.5	Scale	1:1	Drawn By	XS 04/04'26
.xx = ±0.25				

OUPIN
OUPIN ELECTRONIC(KUNSHAN) CO., LTD.
P/N: 9303-D4P07S36B7SA01

SHEET	1/1	Ver. No.	R3
-------	-----	----------	----