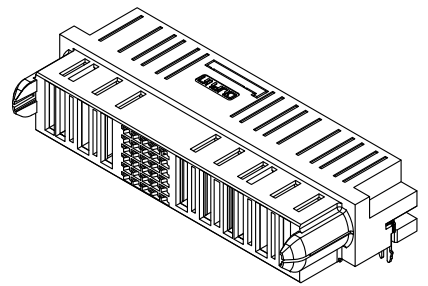


REV.	SPECIFICATION	ECN NO.	APPD.
R2		ECN260415	



Material and Plating:

Housing: LCP, UL94V-0, BLACK.
 Power Contacts: High Conductivity Copper, 30u" Au+Pd/Ni on Contact Area and 80u" Min Tin Plated on Solder Tail over Nickel 50u" Min .
 Signal Contacts: Nickel Copper . 30u" Au+Pd/Ni on Contact Area and 80u" Min Tin Plated on Solder Tail over Nickel 50u" Min .
 Lock: Phosphor Bronze.

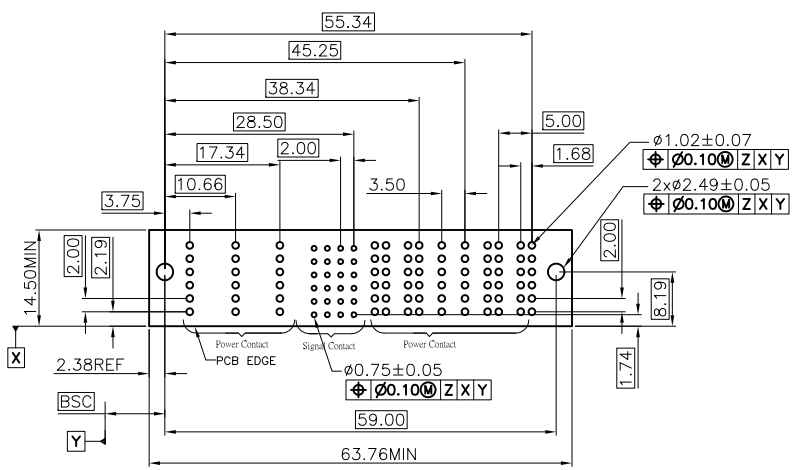
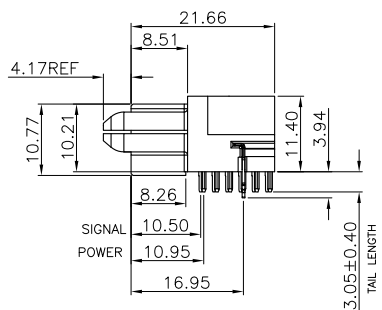
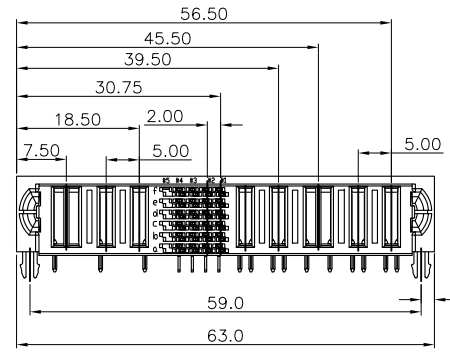
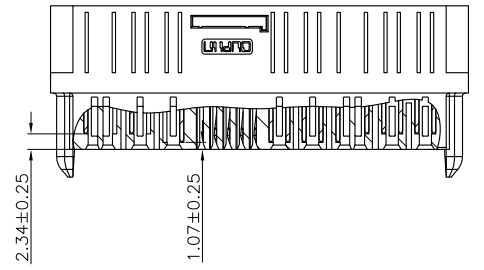
Electrical Characteristics:

Current Rating: Refer to the Specification for details.
 Dielectric Withstanding Voltage:
 Signal Pin DC 1000V For 1 minute.
 Power Pin DC 2500V For 1 minute.
 Insulator Resistance: Signal Pin 500MΩ min.
 Power Pin 1000MΩ min.
 Contact Resistance: Signal Pin 20mΩ max.
 High Power Pin 0.3mΩ max.
 Low Power Pin 0.6mΩ max.
 Operating Temperature: -40°C ~+125°C .

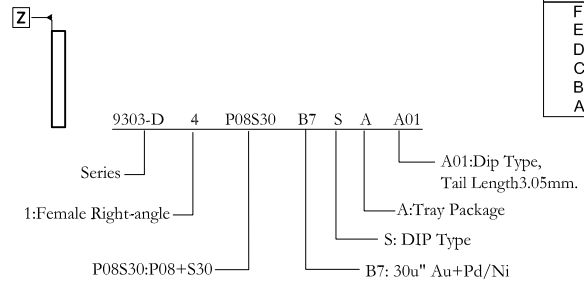
***RoHS & HF Compliant**

Notes 1:

- 1.P1, P2 Power Contact To The Top Distance is 2.34mm.
- 2.P4, P5 Power Contact To The Top Distance is 1.07mm.
- 3.P3 Right Power Pin, To The Top Distance is 2.34mm.
- 4.P3 Left Power Pin, To The Top Distance is 1.07mm.
- 5.P6 is Right Power Pin, To The Top Distance is 1.07mm.
- 6.P7,P8 is Left Power Pin, To The Top Distance is 2.34mm.
- 7.Signal Pin:A5~F5 Without Contact .



P.C Board Layout
(Tolerance:±0.05)



ROWS	LOW POWER			SIGNAL				HIGH POWER						
	P8	P7	P6	5	4	3	2	1	P5	P4	P3	P2	P1	
F	LW	LW	RS	L	L	L	L	L	LS	RS	LS	RS	LW	RW
E				L	L	L	L	L						
D				L	L	L	L	L						
C				L	L	L	L	L						
B				L	L	L	L	L						
A				L	L	L	L	L						

LEFT POWER CONTACT TO THE TOP DISTANCE 2.34mm	LW
RIGHT POWER CONTACT TO THE TOP DISTANCE 2.34mm	RW
LEFT POWER CONTACT TO THE TOP DISTANCE 1.07mm	LS
RIGHT POWER CONTACT TO THE TOP DISTANCE 1.07mm	RS
SIGNAL CONTACT 3.05 SOLDER TAIL, PD/Ni	L

Tolerances	Dwg. No.	9303-DP03S30P05-004		Title:	
x = ±1	Projection			9303-D Series PwrSword® ULTRA HD ⁺ Female Right-angle DipType	
.x = ±0.5	Unit	mm	Scale		1:1
.xx = ±0.25	Drawn By	XS 04/04'26			

OUPIN			
OUPIN ELECTRONIC(KUNSHAN) CO., LTD.			
P/N: 9303-D4P08S30B7SA01			
SHEET	1/1	Ver. No.	R2