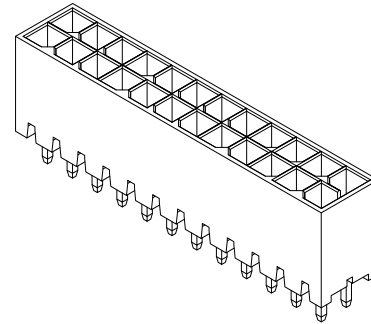
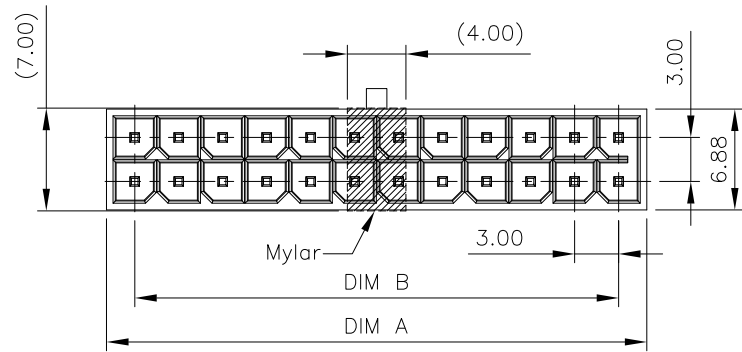


REV.	SPECIFICATION	ECN NO.	APPD.
R1		ECN250502	



**Material and Plating:**

Housing: LCP, UL94V-0 , BLACK.

Contacts: High Conductivity Copper.  
80u" Min Tin Plated over Nickel 50u" min.

**Electrical Characteristics:**

Current Rating: See Table I

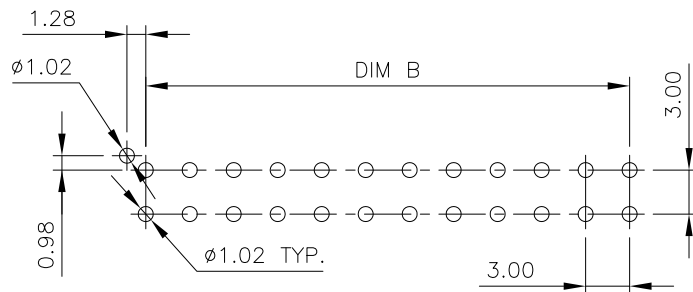
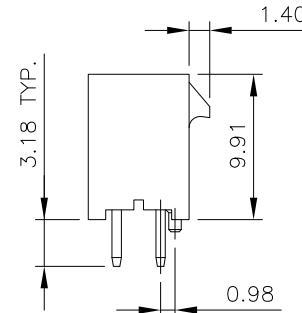
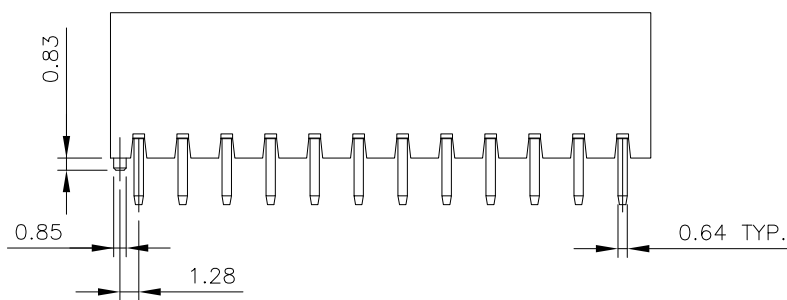
Dielectric Withstanding Voltage: AC 2200V For 1 minute.

Insulation Resistance: 1000MΩ min. at DC 500V.

Contact Resistance: 10mΩ max. at DC 100mA.

Operating Temperature: -40°C ~+105°C .

**\*RoHS Compliant**



P.C.Board Layout (Top View)  
Tolerance: ±0.05

Series **4976-F** 2 X xx T S A - S  
 Double Row  
 No. of Pin Per Row  
 L: Mylar  
 A: Tray Package  
 S: Straight  
 T: Tin Plated

Pin no.	DIM A	DIM B	Polarization					
2x1	3.85	N/A	A	B	C	D	E	
2x2	6.85	3.00	A	B	C	D	E	
2x3	9.85	6.00	A	B	C	D	E	
2x4	12.85	9.00	A	B	C	D	E	
2x5	15.85	12.00	A	B	C	D	E	
2x6	18.85	15.00	A	B	C	D	E	
2x7	21.85	18.00	A	/				
2x8	24.85	21.00	A					
2x9	27.85	24.00	A					
2x10	30.85	27.00	A					
2x11	33.85	30.00	A					
● 2x12	36.85	33.00	A					

Tolerances	Dwg. No.	4976-D0000-006	
x= ±0.5	Projection	⊕ ↗	
.x= ±0.25	Unit mm	Scale	1 : 1
.xx= ±0.15	Drawn By	XS 05/04"25	

Title:  
4976-F Series  
Pitch 3.00mm

<b>OUPIN</b>			
OUPIN ELECTRONIC(KUNSHAN) CO., LTD.			
P/N:		4976-F2XxxTSA-S	
SHEET	1/2	Ver.No.	R1

Table 1

Wire Size	Current Rating (Dual Row)											
	2x1	2x2	2x3	2x4	2x5	2x6	2x7	2x8	2x9	2x10	2x11	2x12
18 AWG	10.30	9.30	8.50	7.70	7.00	6.50	6.10	5.70	5.50	5.40	5.40	5.50
20 AWG	8.50	7.30	6.20	5.30	4.60	4.00	4.00	4.00	3.75	3.75	3.75	3.75
22 AWG	7.50	6.60	5.80	5.10	4.50	4.00	3.60	3.60	3.25	3.25	3.25	3.25
24 AWG	6.50	5.80	5.20	4.60	4.10	3.75	3.40	3.20	3.00	3.00	3.00	3.00
26 AWG	5.50	4.90	4.30	3.80	3.40	3.00	2.70	2.50	2.30	2.25	2.25	2.25
28 AWG	5.00	4.50	4.10	3.70	3.30	3.00	2.70	2.50	2.30	2.20	2.10	2.00
30 AWG	3.75	3.60	3.50	3.40	3.20	3.00	2.70	2.50	2.30	2.20	2.10	2.00

Pin no.	Polarization "A" Black	Polarization "B" Natural	Polarization "C" Red	Polarization "D" Blue	Polarization "E" Yellow
2x1					
2x2					
2x3					
2x4					
2x5					
2x6					

Pin no.	Polarization "A" Black
2x7	
2x8	
2x9	
2x10	
2x11	
2x12	

Tolerances	Dwg. No.	4976-D0000-006	
x= ±0.5	Projection		
.x= ±0.25	Unit mm	Scale	1 : 1
.xx= ±0.15	Drawn By	XS 05/04"25	

Title:  
4976-F Series  
Pitch 3.00mm

**OUPIN**  
**OUPIN ELECTRONIC(KUNSHAN) CO., LTD.**  
P/N: 4976-F2XxxTSA-S  
SHEET 2/2 Ver.No. R1