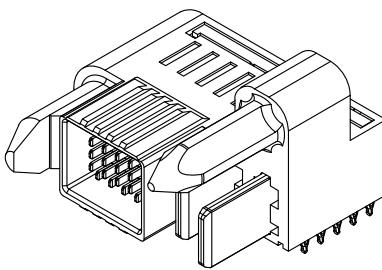
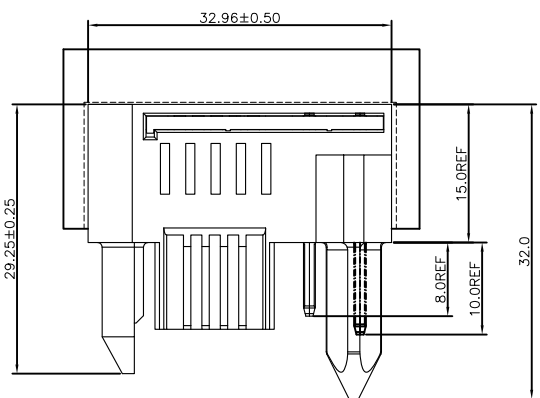


REV.	SPECIFICATION	ECN NO.	APPD.
R1		ECN200825	



**Material and Plating:**

Housing: LCP, UL94V-0 , BLACK.  
 Power Contacts: High Conductivity Copper .  
 Au+Pd/Ni or Gold Plated on Contact Area and 80u" Min Tin Plated on Press Fit over Nickel 50u" Min .  
 Signal Contacts :Brass .  
 Au+Pd/Ni or Gold Plated on Contact Area and 80u" Min Tin Plated on Press Fit over Nickel 50u" Min .

**Electrical Characteristics:**

Current Rating: Signal Pin 2.5 AMP.  
 Power Pin 60 AMP.  
 Dielectric Withstanding Voltage: Power Pin :DC 1500V For 1 minute.  
 Insulator Resistance: 5000MΩ min.  
 Contact Resistance: Signal Pin 30mΩ max.  
 Power Pin 0.3mΩ max.  
 Operating Temperature: -40°C ~+105°C .

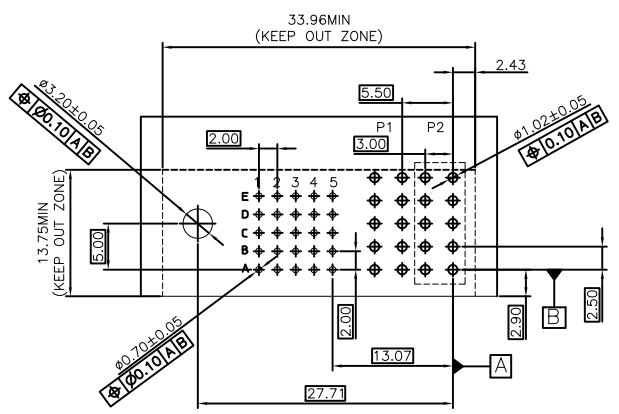
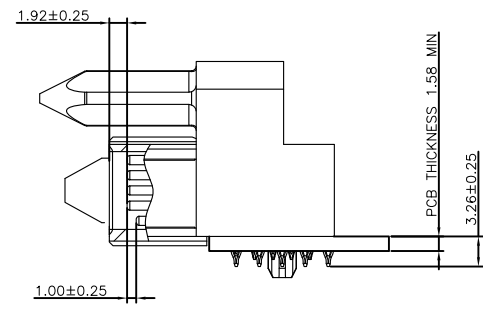
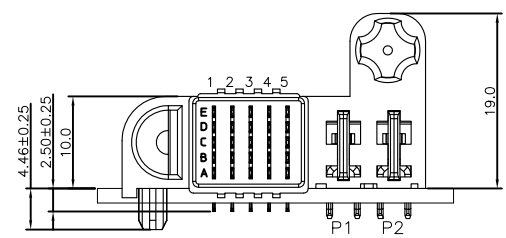
**\*RoHS Compliant**

**Notes 1:**

L: Low Power---PCB Mount 3.0mm Pitch  
 D: DC Power---PCB Mount 5.5mm Pitch  
 A: AC Power---PCB Mount 7.5mm Pitch

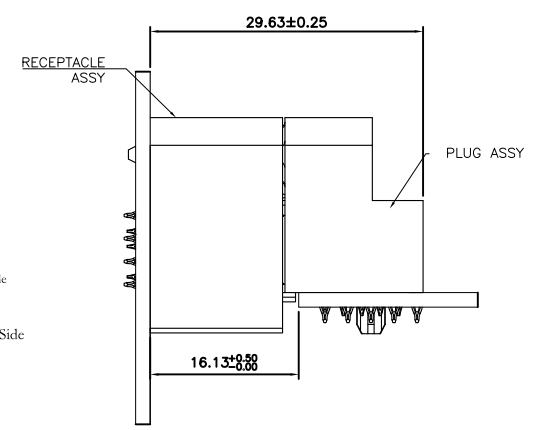
**Notes 2:**

A1,A2,A3,A4,A5 Signal Pin to The Top Distance is 2.92mm.  
 Other Signal Pin to The Top Distance is 1.92mm.  
 P2 Power Contact Length is 10.0mm.  
 P1 Power Contact Length is 8.0mm.



P.C.Board Layout  
(Tolerance:±0.05)

9395- 1 S25 D02 x 7 1 P P G3 A -A007  
 Series | 1 | S25 | D02 | x | 7 | 1 | P | P | G3 | A | -A007  
 1: Male Right Angle  
 Blank/Without Contact  
 Signal Contact: S xx  
 No. of position  
 Blank/Without Contact  
 Power Contact: Axx, Dxx , Lxx  
 No. of position  
 C: Selective Gold Plated  
 B: Dip Tin Plated  
 Contact Au+Pd/Ni Plated  
 A: Tray Package  
 G3: Guide Top & Side  
 P: With Post  
 N: Without Post  
 P: Press Fit Type  
 1: With Rib  
 7: 30u"



Tolerances	Dwg. No.	9395-D0000-030	Title: 9395 Series Max P60 10mm Low Profile, 60Amp Plug, Right Angle,FMLB		<b>OUPIN</b> OUPIN ELECTRONIC(KUNSHAN) CO., LTD. P/N: 9395-1S25D02x71PPG3A-A007
x = ±0.5	Projection				
.x = ±0.25	Unit	mm	Scale	1:1	SHEET 1/1 Ver. No. R1
.xx = ±0.15	Drawn By	WJ 04/19'19			