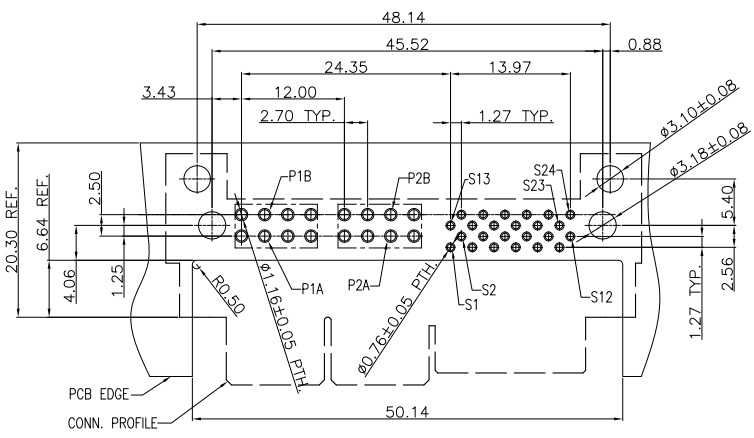
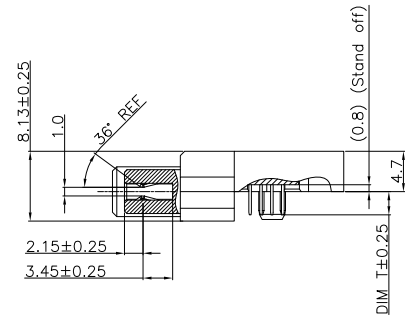
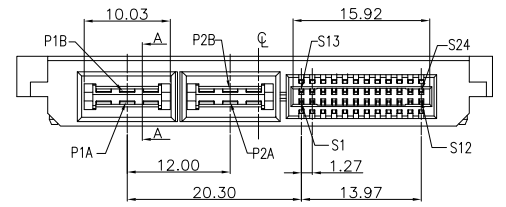
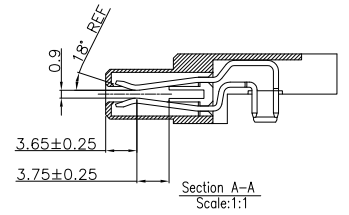
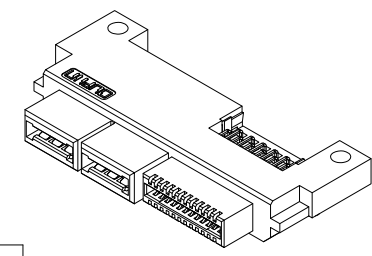
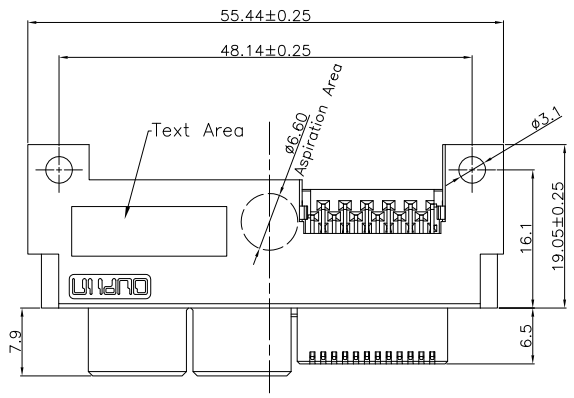
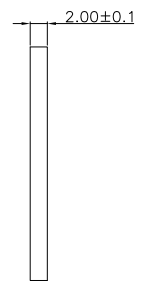


REV.	SPECIFICATION	ECN NO.	APPD.
R10		ECN230636	



P.C. Board Layout  
(Tolerance:±0.05)



9392- D 4 S P04 S24 P 1 7 Cxx D T

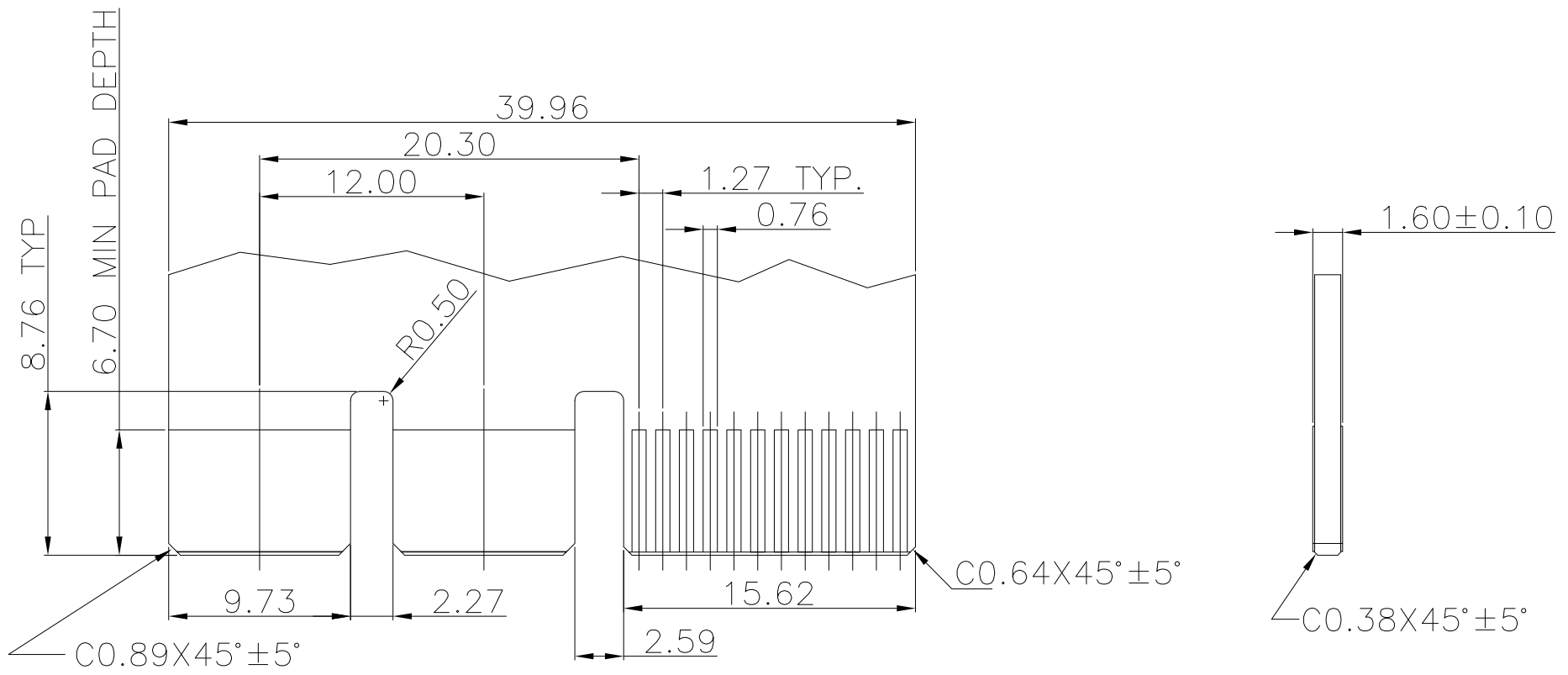
Series ———— T:Tape & Reel  
 4:Female Right Angle ———— A:Tray Package  
 S:With Slot ———— D:Dip Type  
 Blank:W/O Slot ———— CB30: Dip Tin Plated  
 P04:Power Contact ———— Contact Au+Pd/Ni Plated  
 S24:Signal Pin ———— 30: 30 u"  
 N: W/O Post ———— C:Selective Gold Plated  
 P:With Post ———— 10: 10 u"  
 1: Without Guides ———— 30: 30 u"  
 7: Dim T=2.70mm

Tolerances	Dwg. No.	9392-D0000-038	Title:
x = ±0.5	Projection		9392 Series Low Profile Hybrid Power Receptacle
.x = ±0.25	Unit	mm	
.xx = ±0.15	Scale	1:1	
	Drawn By	JCQ 06/27'23	

9392 Series  
Low Profile Hybrid  
Power Receptacle

<b>OUPIIN</b>			
OUPIIN ELECTRONIC(KUNSHAN) CO., LTD.			
P/N: 9392-D4SP04S24P17CxxDT			
SHEET	1/2	Ver. No.	R10

REV.	SPECIFICATION	ECN NO.	APPD.
R10		ECN230636	



**Recommended Edge Card Layout**  
(Tolerance:±0.05)

Tolerances	Dwg. No.	9392-D0000-038		Title:			
x = ±0.5	Projection			9392 Series			
.x = ±0.25	Unit	mm	Scale	1:1		Low Profile Hybrid	
.xx = ±0.15	Drawn By	JCQ	06/27'23			Power Receptacle	
						<b>OUPIIN ELECTRONIC(KUNSHAN) CO., LTD.</b>	
						P/N:9392-D4SP04S24P17CxxDT	
				SHEET	2/2	Ver. No.	R10